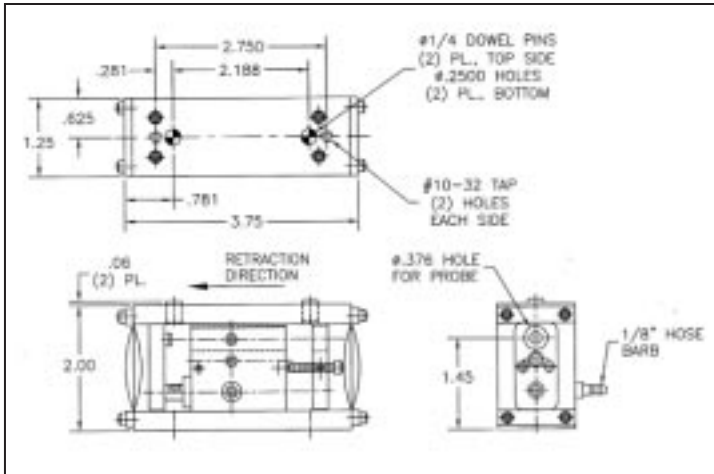


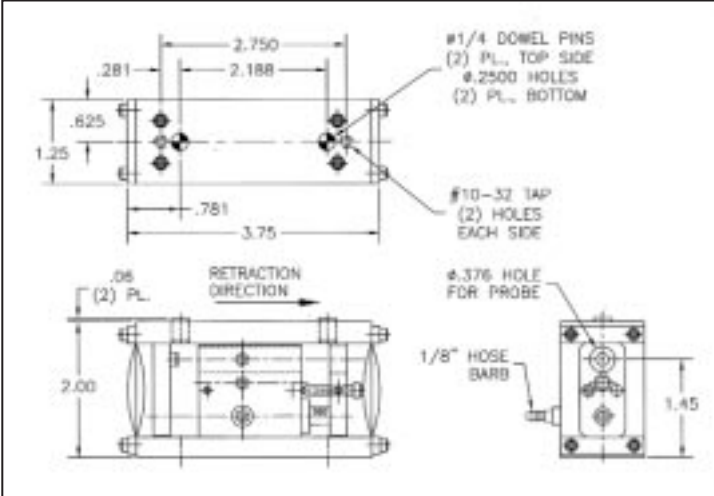
**Frictionless Reed Floats**



Forward normal spring, air retract for cartridge probe 5312023  
Forward heavy spring, air retract for cartridge probe 5312024



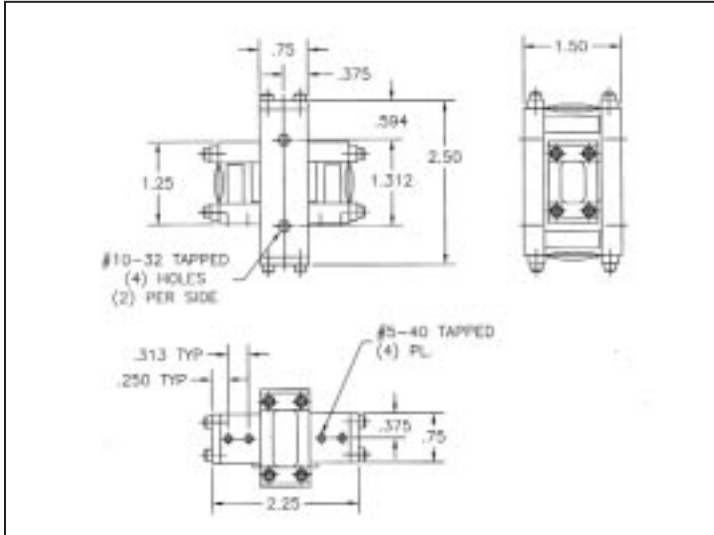
5312023



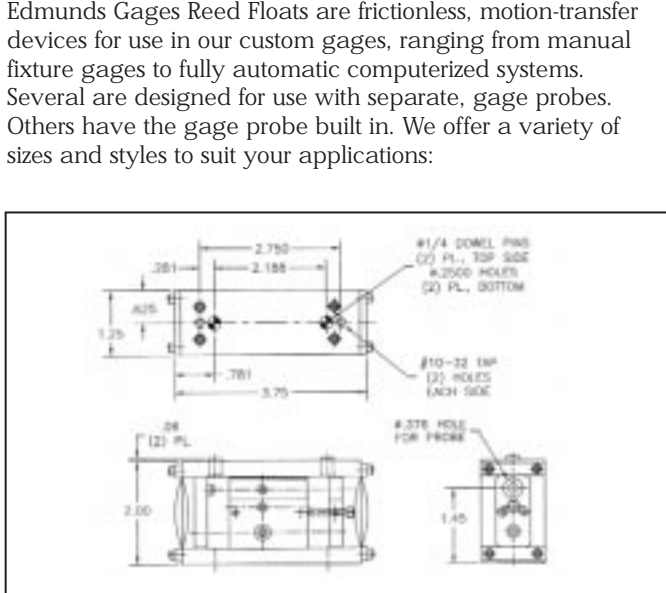
Reverse, normal spring air retract for cartridge probe 5312090



5312090

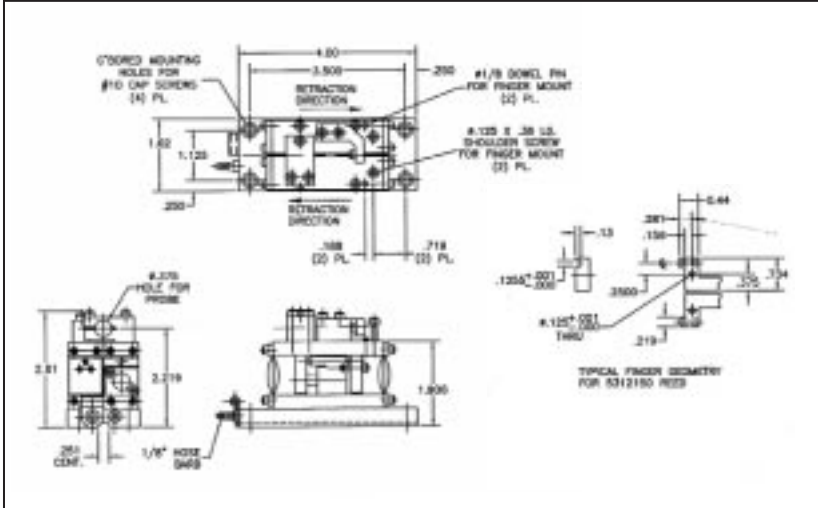


X-Y combination package for cartridge probe 5312070

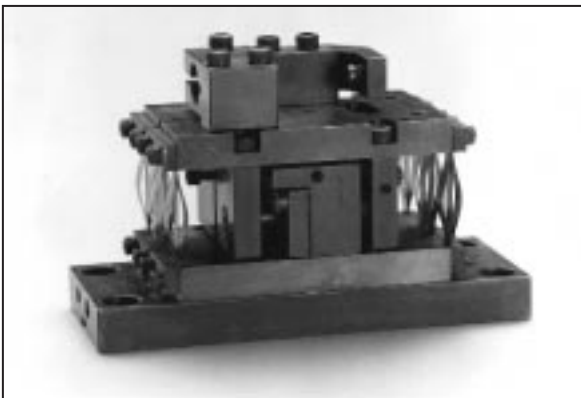


Forward, normal spring for cartridge probe 5312010  
Forward, heavy spring for cartridge probe 5312011

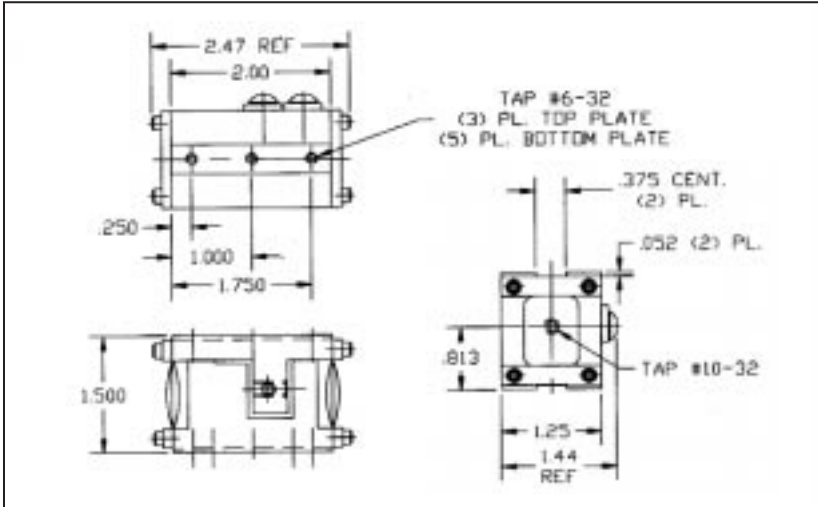
**Frictionless Reed Floats**



Thin mount caliper package for cartridge probe 5312150



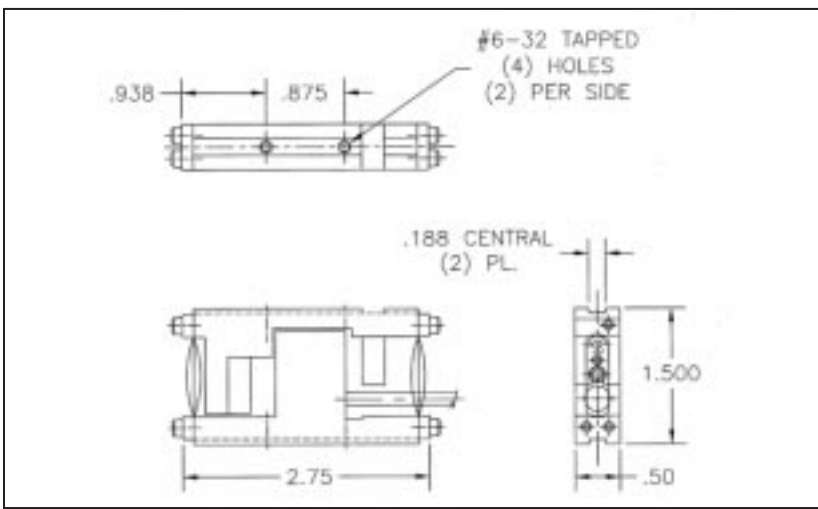
5312150



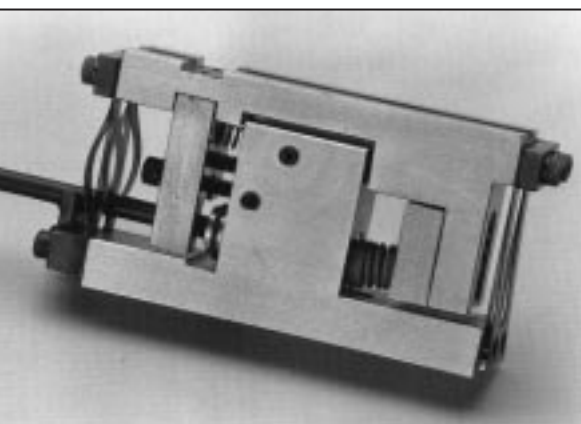
Aluminum with integral LVDT gage probe 5010100



5010100



1/2" wide with integral LVDT gage probe 5312210



5312210



**Accessories**  
**GAGE PROBES, ADAPTORS and REED FLOATS**



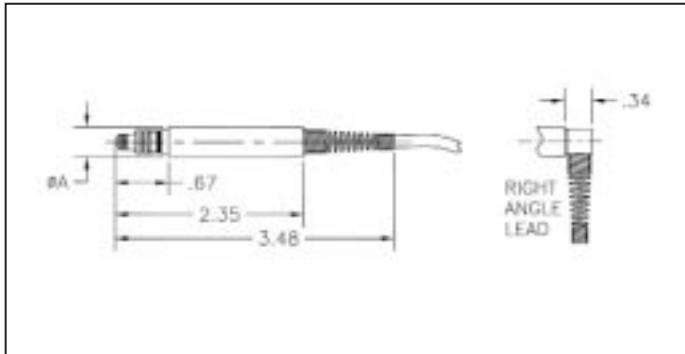
## Durable, reliable LVDT gage probes

Our gage probes are designed for use with Edmunds' Trendsetter™, Accu-Setter™ columns, and CAG<sup>QCM</sup> gaging computers. These Linear Variable Differential Transformer (LVDT) gage probes operate with two, small electrical transformers which share a single core. When the core is centrally located between the two coils, the output is balanced or zeroed. When the core is physically displaced, the output of the two coils becomes unequal, with one coil increasing in output and the other decreasing. The measure of the core's movement is then recorded by these unequal outputs to represent true linear displacement or changes in size. Packaged in what is commonly known as cartridge or pencil configurations, Edmunds Gages' probes are available in several configurations:

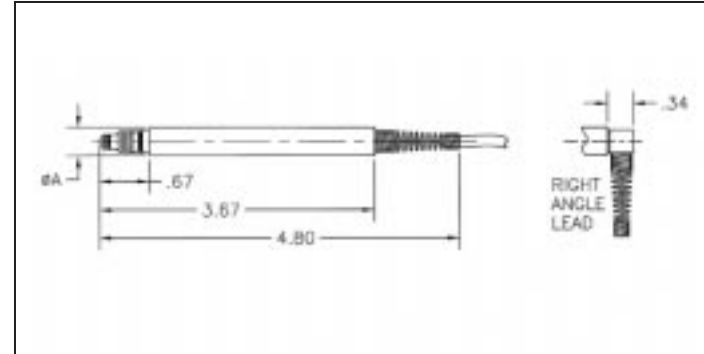


15144B

## LVDT Normal-Acting Cartridge Type

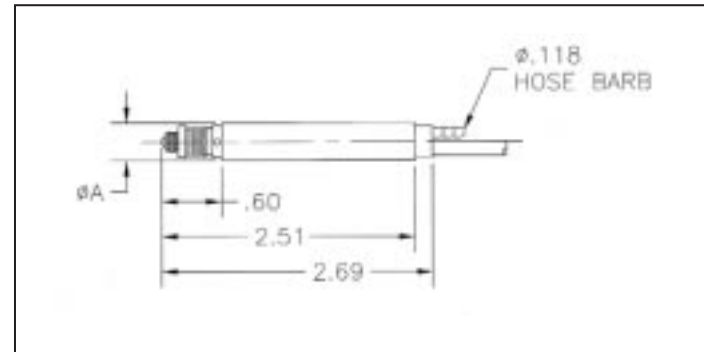


3/8" diameter, .080" range, 4 foot cable ..... 15144B-38-4  
 3/8" diameter, .080" range, 8 foot cable ..... 15144B-38-8  
 8mm diameter, .080" range, 4 foot cable ..... 15144B-8-4  
 8mm diameter, .080" range, 8 foot cable ..... 15144B-8-8



3/8" diameter, .200" range, 4 foot cable ..... 15145B-38-4  
 3/8" diameter, .200" range, 8 foot cable ..... 15145B-38-8  
 8mm diameter, .200" range, 4 foot cable ..... 15145B-8-4  
 8mm diameter, .200" range, 8 foot cable ..... 15145B-8-8

## LVDT Pneumatic-push cartridge type



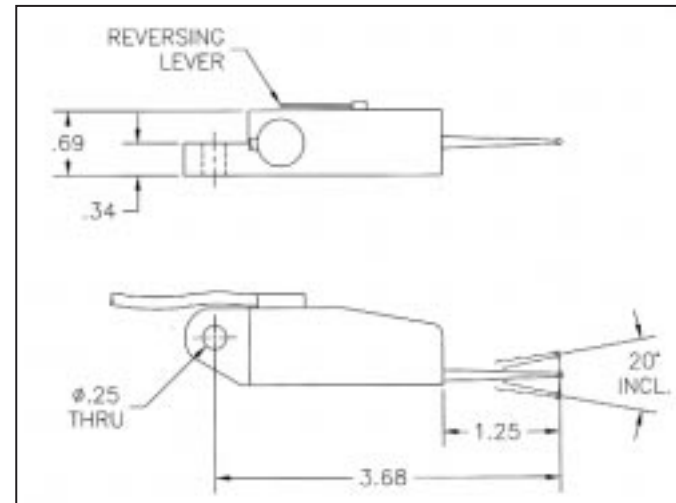
3/8" dia., .080" range, 8' cable, 4-48 thread ..... 15144C-38-8-PE  
 3/8" dia., .080" range, 8' cable, 2.5mm thread 15144C-38-8-PM  
 8mm dia., .080" range, 8' cable, 4-48 thread ..... 15144C-8-8-PE  
 8mm dia., .080" range, 8' cable, 2.5mm thread 15144C-8-8-PM

8mm right angle, .020" range, 4 foot cable ..... 15141-8-4

## LVDT Cartridge Type Accessories

Spanner wrench for pretravel adjustment	15149	3/8" diameter split sleeve (for 15141)	5312145
Replacement contact tip	15146	Right angle cord grip (for 15144B/15145B)	RA
3/8" diameter split sleeve (for 15144B)	5900160	Extension cable, 4 foot	BE22795
3/8" diameter split sleeve (for 15145B)	5900161		

## LVDT Lever Type



Dual-direction ± .007" range with .062" tip ..... 5311040  
**Replacement Tips**  
 .031" diameter tip ..... 5311026  
 .062" diameter tip ..... 5311023  
 .125" diameter tip ..... 5311022



5311040

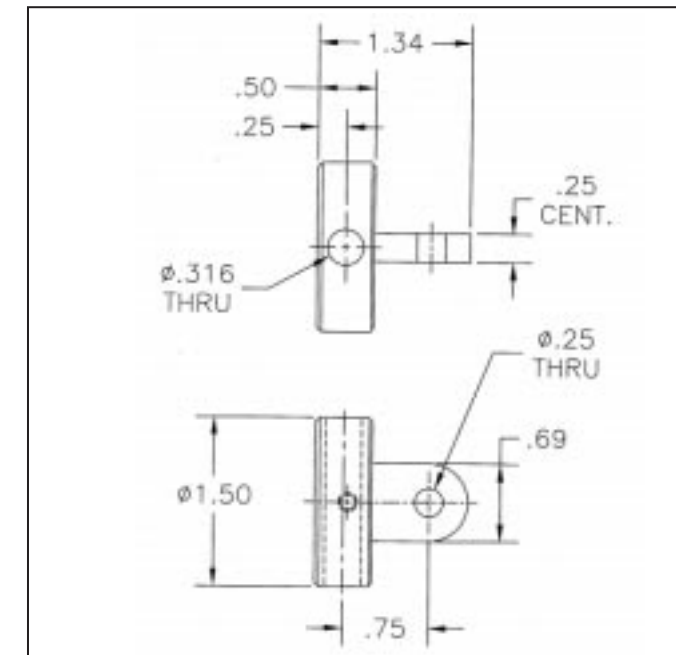
## 8mm Cartridge Probe Mounting Adaptors for Easy Upgrading

Dial indicator fixtures can be easily upgraded to electronic analog or digital amplification and readout with our mounting adaptors. There's no need to modify or redesign the existing fixture. Six different mounting arrangements can be configured. They fit directly in place of any size 1 or 2, AGD indicator.



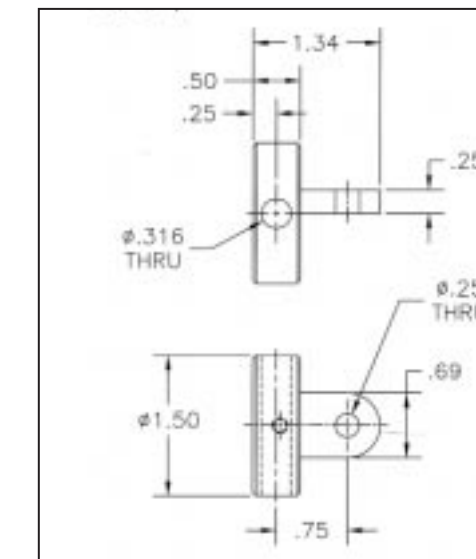
5312000

## Center Lug Type



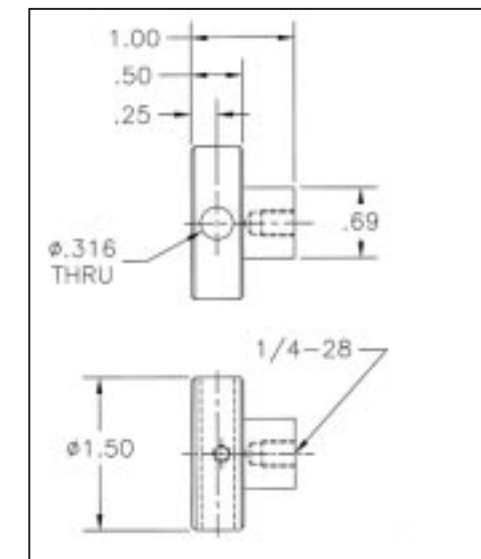
5312000

## Offset Lug Type



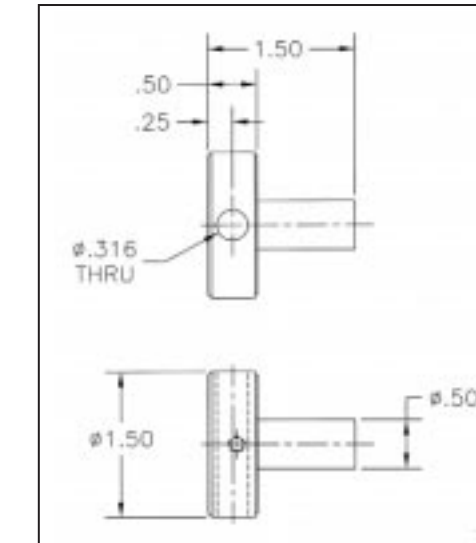
5312001

## Screw Type



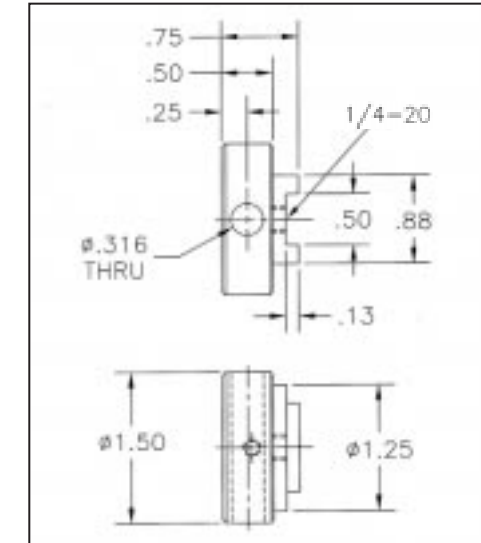
5312002

## Post Type



5312003

## Adjustable Type

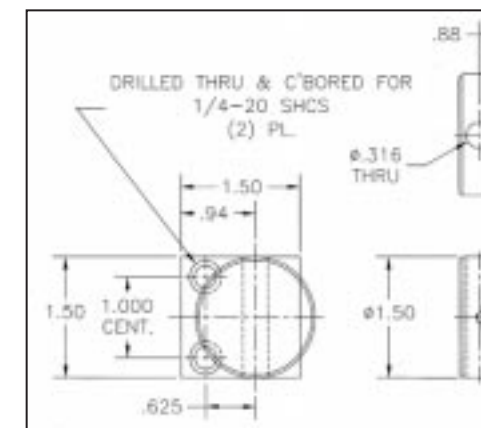


5312004



5312005

## Rack Adjustable Type



5312005